

ENFORCER 60W WORK LIGHT

60W, 5910 LUMEN — HEAVY DUTY WORK LIGHT



The Enforcer offers the very latest, high powered LED technology, ideal for use on heavy duty mining vehicles or construction equipment.

Superbly compact and exceptionally tough, the Enforcer has a substantial 145 degrees of adjustment, ensuring a solution to the most demanding applications.

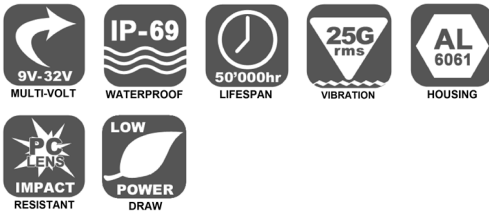
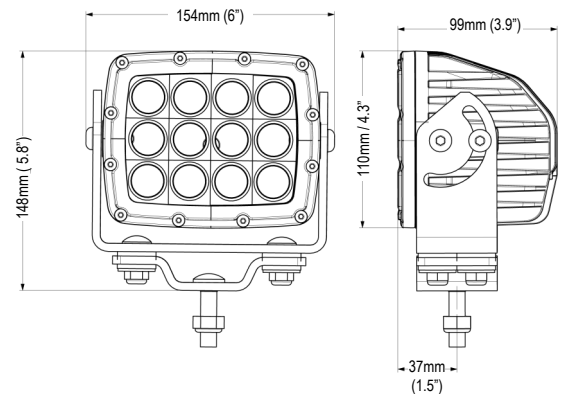
The Enforcer features revolutionary high output optics that produce optimum light levels, along with the utilization of high quality Cree XP-G LED's, controlled by Electronic Thermal Control.

Electronic Thermal Management (ETM)

ETM monitors the heat output of the LED's and makes use of integrated Pulse Width Modulation circuitry in order to maintain safe operating temperatures which prolong the LED life span to its full 50,000 hours.

Integrated Pulse Width Modulation (PWM)

PWM dimming circuitry is used by the Enforcer to manage heat levels. PWM works by flashing the LED at a frequency faster than the human eye can detect, reducing the time that the LED is operating while still delivering 100% light output.

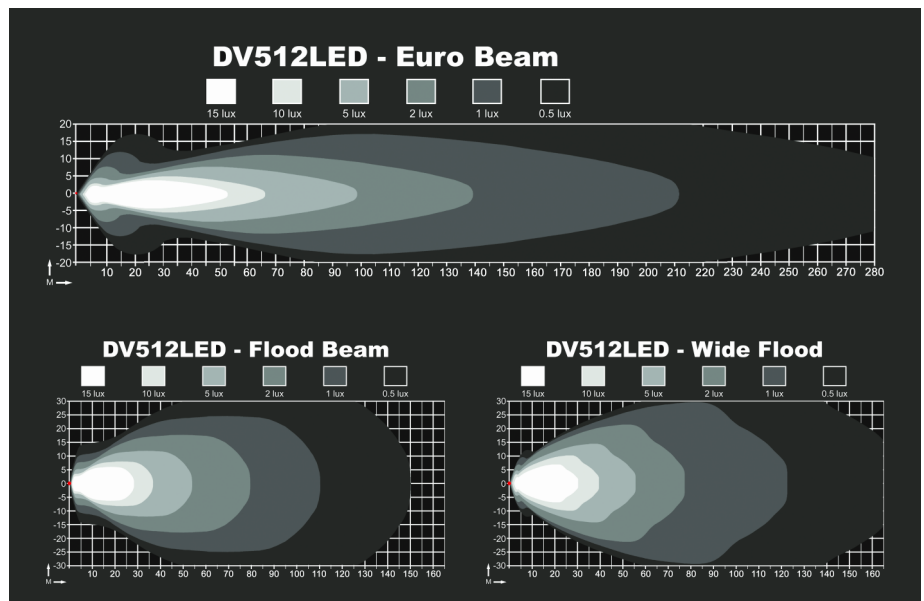


SPECIFICATIONS—SIDE MOUNT

Wattage	60 Watt
Light Source	12 x 5W LED's
Light Output	5910 Lumen
Voltage	9V-32V DC
Current Draw	5A @ 12V
Operating Temp.	-40°C to +80°C
Vibration	25G rms
IP Rating	IP69
Connector Type	Deutsch DT 2 Pin
Housing	Die-Cast Alloy
Lens Construction	Polycarbonate
Bracket	5mm 316 S/Steel
Lifespan	50,000 Hours
Net Weight	2.5 kg (5.5lbs)
Mounting Suitable	Upright & Pendent
Beams Available	Wide Flood, Flood, & Euro
Warranty	5 Years
Dimming Control	Yes (Optional)

PART NUMBERS

DV512LEDEU/S	Euro Beam
DV512LEDFB/S	Flood Beam
DV512LEDWF/S	Wide Flood Beam



WORK & PLAY

SUPERIOR LIGHTING
FOR INDUSTRY &
OFFROAD ADVENTURES

earthtrackgroup.com